
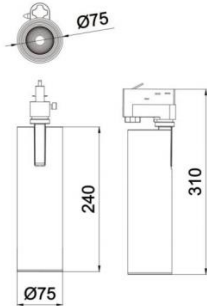
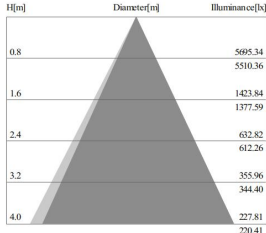
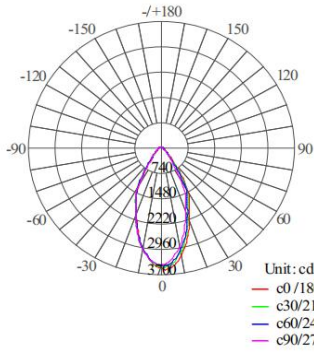




# ALIGHT

COB LED Solution Company Since 2008

<b>Type of luminaire</b>		<i>commercial track light</i>																																	
<b>Set model No.</b>		<i>AL-TL0628-L</i>																																	
<b>Image photo</b>		<b>Dimension and materials</b>																																	
																																			
<b>Type of light source</b>	<i>CREE 1820</i>	<b>Lamp diameter</b> <i>75mm</i>																																	
<b>Dimming</b>	—	<b>Weight</b> <i>1.1KG</i>																																	
<b>Dimming range</b>		<b>Body</b> <i>Aluminium</i>																																	
<b>Power input</b>	<i>28W</i>	<b>Reflector</b> <i>Aluminium</i>																																	
<b>Power voltage</b>	<i>220V</i>	<b>Photometric chart</b>																																	
<b>Input frequency</b>	<i>50/60Hz</i>	<p style="text-align: center;"><b>Illumination Cone Curve</b></p>  <table border="1"> <thead> <tr> <th>H[m]</th> <th>Diameter[m]</th> <th>Illuminance[lx]</th> </tr> </thead> <tbody> <tr> <td>0.8</td> <td></td> <td>5695.34</td> </tr> <tr> <td></td> <td></td> <td>5510.36</td> </tr> <tr> <td>1.6</td> <td></td> <td>1423.84</td> </tr> <tr> <td></td> <td></td> <td>1377.59</td> </tr> <tr> <td>2.4</td> <td></td> <td>632.82</td> </tr> <tr> <td></td> <td></td> <td>612.26</td> </tr> <tr> <td>3.2</td> <td></td> <td>355.96</td> </tr> <tr> <td></td> <td></td> <td>344.40</td> </tr> <tr> <td>4.0</td> <td></td> <td>227.81</td> </tr> <tr> <td></td> <td></td> <td>220.41</td> </tr> </tbody> </table> <p style="text-align: center;"> <span style="color: grey;">■</span> CO-C180  <span style="color: black;">■</span> CO-C270         </p> <p style="text-align: center;"><b>Distribution Curve of Meridian</b></p>  <p style="text-align: right;">Unit: cd</p> <ul style="list-style-type: none"> <li><span style="color: red;">—</span> c0/180</li> <li><span style="color: green;">—</span> c30/210</li> <li><span style="color: blue;">—</span> c60/240</li> <li><span style="color: purple;">—</span> c90/270</li> </ul>	H[m]	Diameter[m]	Illuminance[lx]	0.8		5695.34			5510.36	1.6		1423.84			1377.59	2.4		632.82			612.26	3.2		355.96			344.40	4.0		227.81			220.41
H[m]	Diameter[m]		Illuminance[lx]																																
0.8			5695.34																																
			5510.36																																
1.6			1423.84																																
			1377.59																																
2.4			632.82																																
			612.26																																
3.2			355.96																																
			344.40																																
4.0			227.81																																
			220.41																																
<b>Driver</b>	<i>Integrated</i>																																		
<b>IP rating</b>	<i>IP20</i>																																		
<b>Beam angle</b>	<i>47°</i>																																		
<b>System lumen out put</b>	<i>2398 lm</i>																																		
<b>System efficacy</b>	<i>90 lm/W</i>																																		
<b>CCT</b>	<i>2700K-6500K</i>																																		
<b>CRI</b>	<i>80</i>																																		
<b>Life time</b>	<i>50000</i>																																		
<b>Brand</b>	<i>ALIGHT</i>																																		
<b>Country of origin</b>	<i>China</i>																																		
<b>Remarks</b>																																			