



ALIGHT

COB LED Solution Company Since 2008

Hot Sale LED Track Lights

HIGH-END TRACK LIGHT

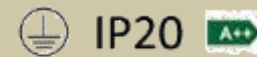


Track Light

AL-TL0628

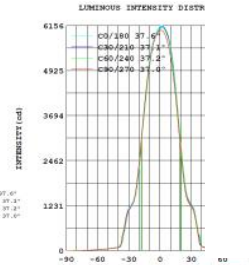
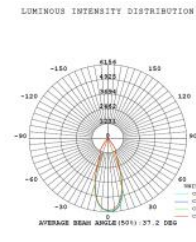
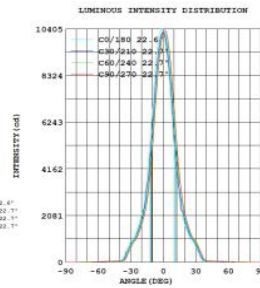
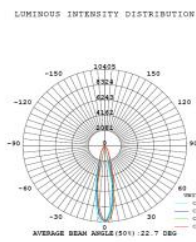
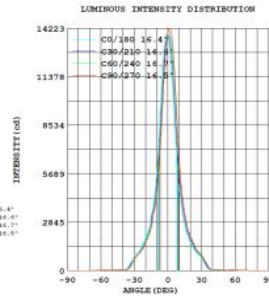
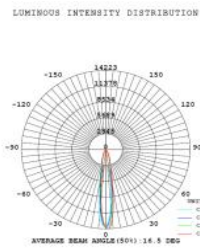
AL-TL0620

AL-TL0625



- Three wattages for your choice.
- The die-casting aluminum lamp body, with every parts well-designed and looking fashionable. All parts have been strictly according to EU regulation.
- No RF interference, no buzzing noise, no UV radiation.

PRODUCT PARAMETERS



Model	Power	Size (mm)	LED	CRI (Ra)	CCT	Luminous Flux	Beam Angle	Driver	Dimensions
AL-TL0628	28W	75 *237 *310	CREE CXA1820	≥80	2700K-6500K	2700	15° 24° 36°	Built-in driver	
AL-TL0620	20W	75 *237 *310	CREE CXA1816	≥80	2700K-6500K	1900	15° 24° 36°	Built-in driver	
AL-TL0625	25W	75 *237 *310	CREE CXA1816	≥80	2700K-6500K	2200	15° 24° 36°	Built-in driver	

TRIAC SOFT DIM

Warm Glow LED Dimming



Track Light

AL-TL0628

AL-TL0620

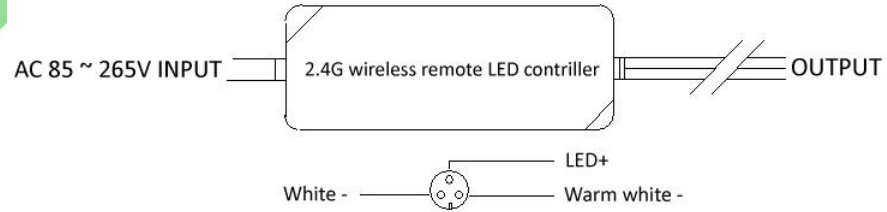
AL-TL0625

IP20 A++

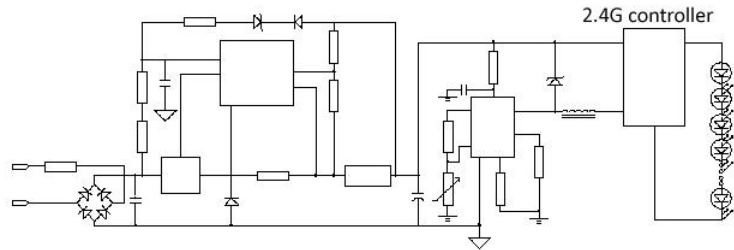


- 2.4G wireless remote controller systems
- Can use the triac dimmer to dim the Color temperature & Intensity, you only need to install our cct adjustable lamp, no need to change anything else.

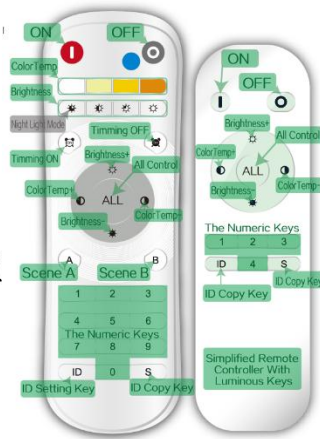
TRIAC Diagram:



No strobe brightness adjusting: 1% ~ 100%
 Color temperature adjusting :2800K ~6500K
 Remote operating frequency : 2.4G



Triac with the 2.4G remote controller (wireless triac dimming):



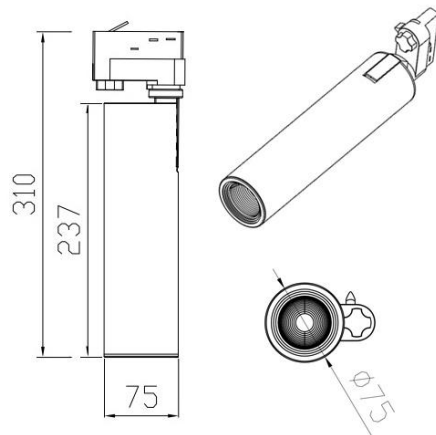
Technical Description

LED Dimming offers both perfection & peace of mind.

- **Soft Dim Technology** offers both conventional phase dimming and DALI controlled solutions.
- **Soft Dim** allows you to create the perfect balance between visual comfort and ambience.
- **Soft Dim Technology** not only reduces both the luminous intensity and colour temperature of the light source when dimmed , but also so following the curve of a halogen closely. The result is gradual and smooth transformation between 2800K and 6500K over the dimming range of 1% - 100%.

➤ **Remarks:** Dual color COB LEDs , they only can reach around 80lm/W for whole lamp. If you don't need color temperature adjustable, only need normal dimmable(e.g 2700K,3000K,4000K,5000K), we can reach 100lm/W.

PRODUCT PARAMETERS



- Model : AL-TL0628/AL-TL0620/AL-TL0625
- Total power : 20W / 25W/28W
- Size : 75 *237 *310mm
- Color : White & Black
- Weight : 1kg
- Total lighting output : 2700lm/ 1900lm /2200lm
- Color temperature : 2700-6500K
- CRI : ≥ 80 Ra
- Luminous efficacy (real value): 90lm/W
- Voltage : AC 220-240V
- Life time: 50,000hrs L80 B10 (Ta 40° C)
- PF : > 0.9
- Beam angle [°]: 15° 24° 36°
- Base Type : 2 pin, 3 pin and 4 pin available

TRIAC DIMMING with CABLE

Built-in Dimmable Driver



Track Light

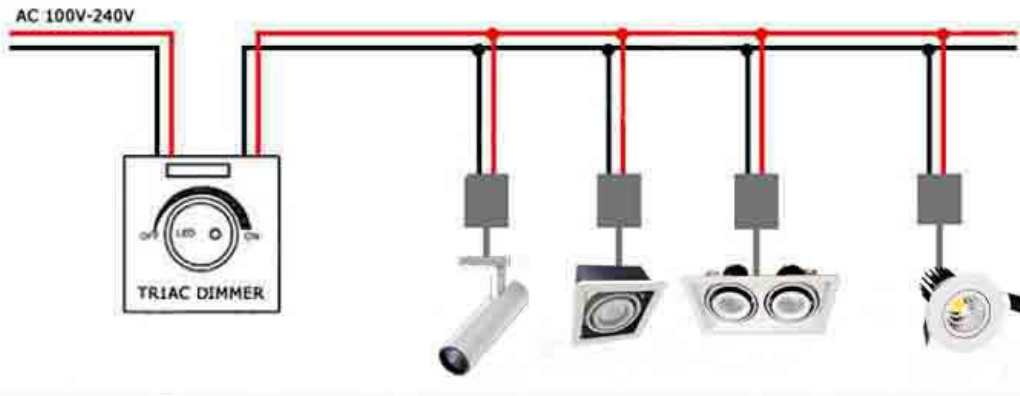
AL-TL0628
AL-TL0620
AL-TL0625

IP20 A++



TRIAC Diagram:

TRIAC Dimming



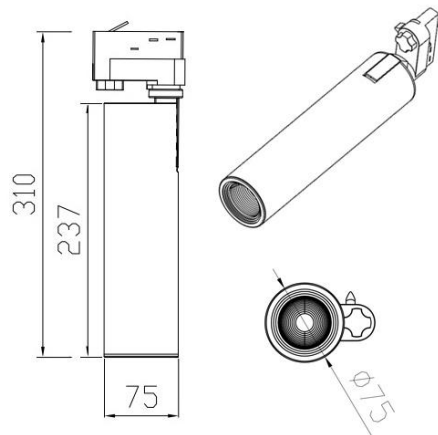
LED Dimmer:



Technical Description

- The triac dimming circuit, a diode alternating current switch (diac) and an LRC circuit generate a pulse that turns on the triac for some portion of the ac cycle. (The diac can conduct current in either direction, but not until breakdown voltage has been exceeded.) A potentiometer adjusts the point at which the diac to send the triac a trigger signal.
- Triacs make up the heart of AC light dimming controls. Triacs used in dimmers have normally been characterized and specified for incandescent lamp loads, which have high current ratings for both steady-state conditions and initial high in-rush currents, as well as very high end-of-life surge current when a filament ruptures.

PRODUCT PARAMETERS



- Model : AL-TL0628/AL-TL0620/AL-TL0625
- Total power : 20W / 25W/28W
- Size : 75 *237 *310mm
- Color : White & Black
- Weight : 1kg
- Total lighting output : 2700lm/ 1900lm /2200lm
- Color temperature : 2700-6500K
- CRI : ≥ 80 Ra
- Luminous efficacy (real value): 90lm/W
- Voltage : AC 220-240V
- Life time: 50,000hrs L80 B10 (Ta 40° C)
- PF : > 0.9
- Beam angle [$^{\circ}$]: 15° 24° 36°
- Base Type : 2 pin, 3 pin and 4 pin available

If you are interested in our products, pls feel free to contact us. We look forward to cooperating with you !



< Alight Optoelectronic Industry Commerce Co.,LTD >

TEL : +86 760 22107179

FAX : +86 760 22102131

Website: www.alight.hk/www.alightinc.hk

ADD : 34# Fu'an Road, Jidongyi District, XiaoLan Town,ZhongShan City,GuangDong, (528415



ALIGHT

Thank You

Take Alight,Take a Bright Life.